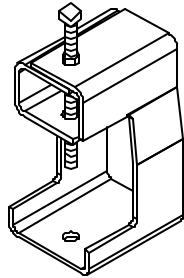




## INSTALLATION INSTRUCTIONS



STCB6



### SIZING CHART

PART NO.	APPLICATION	MIN. QTY. REQ'D	MAXIMUM LOAD*
STCB6	STRUT HANGER	2	400 LBS.
STCB6	ROD HANGER	1	400 LBS.

\*NOTE: LOAD RATING LISTED IS PER FASTENER. ACTUAL INSTALLATION MUST BE EVALUATED BY A QUALIFIED ENGINEER TO DETERMINE LOAD ON INDIVIDUAL FASTENERS.

### FEATURES

**WARNING:** CADDY® Fasteners shall be used only as illustrated and recommended. Misuse or misapplication may cause failure resulting in possible property damage or bodily injury. It is the obligation of the user to ensure CADDY Fasteners are used in accordance with appropriate Codes and System requirements. All liability for CADDY Fasteners' performance is disclaimed and the Warranty will be voided if any of the following conditions exist:

- The CADDY Fastener is used beyond the published rated load limit. Note: All ratings are for static conditions and do not account for Dynamic loading such as wind, water or seismic loads.
- The CADDY Fastener is not properly installed such as:
  - The CADDY Fastener must be fully installed per instructions
  - Loading must be applied VERTICALLY to the normal fastener installation except as may be diagrammed otherwise.
  - Fastener is deformed beyond its limit during installation.
- CADDY Fastener is not properly used, such as:
  - Used in an inappropriate environment for the coating or material.
  - Used beyond its range of published size limit.
  - Used for an application not published by ERICO without prior Engineering approval from ERICO.
  - Used without complying to code regulations.

**SAFETY INSTRUCTIONS:** All safety regulations required by the job site must be observed. Special attention should be given to the following instructions.

#### WHILE WORKING OR ON THE JOB SITE:

- Observe all Federal and Local safety regulations.
- Wear a hard hat.
- Wear safety glasses with side shields.
- Wear gloves to avoid splinters and cuts.
- When working above ground level, be sure the structure will support your weight.
- Be aware of personnel working above and below.

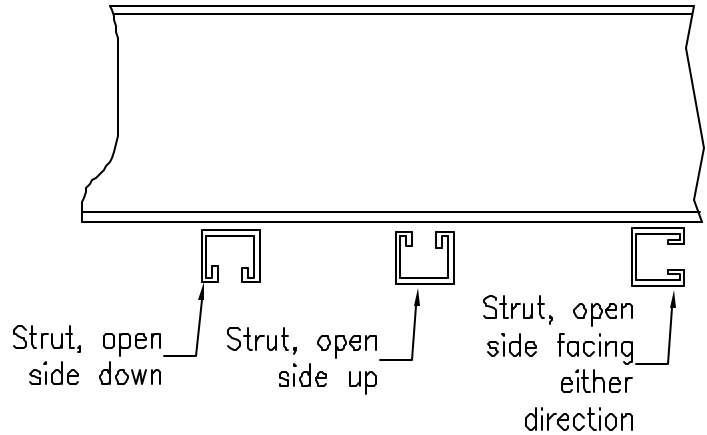


©1998 ERICO, INC.

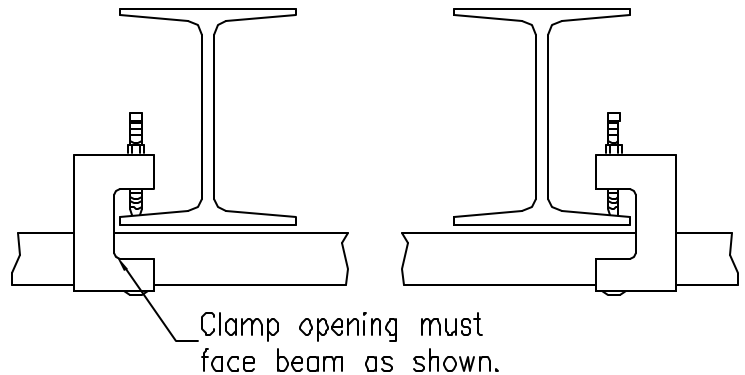
## INSTALLATION

### STRUT HANGER

- Position strut under beams in any of the orientations shown.

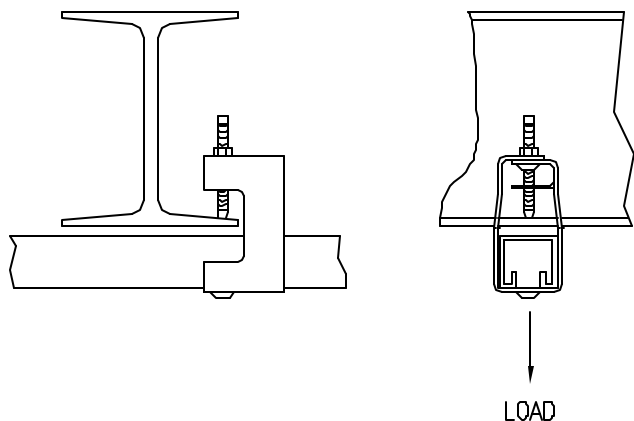


- Slide STCB6 onto both ends of strut and over beam as shown below.



- Secure STCB6 to beam using the set screw provided. Tighten set screw to 60 in-lbs.

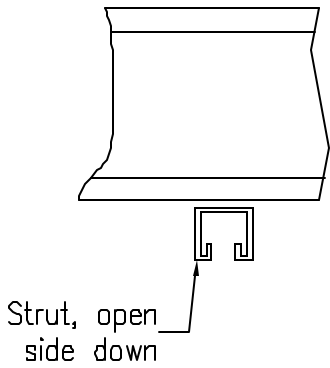
NOTE: Do not over-tighten set screw.



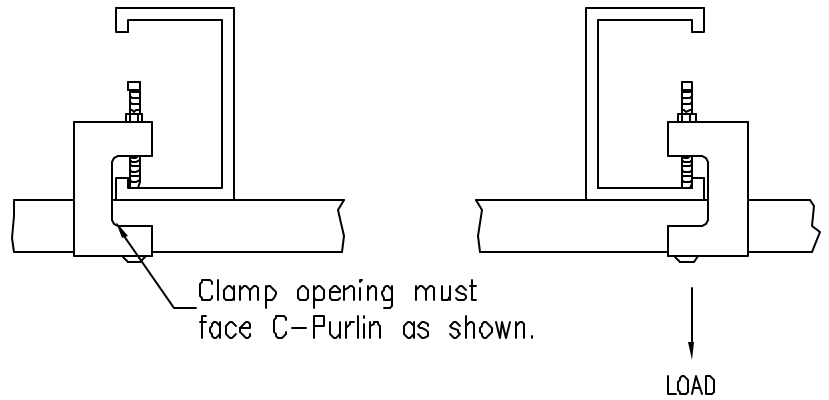
- Tighten jam nut provided against body of STCB6.

## C-PURLIN

1. Position strut under C-Purlin in the orientation shown.



2. Slide STCB6 onto both ends of strut and over C-Purlin as shown below.



Note: For use on C-Purlins with a lip height of 3/4" (max) when used with full size 1 5/8" strut.

3. Secure STCB6 to C-Purlin using the set screw provided. Tighten set screw to 60 in-lbs.

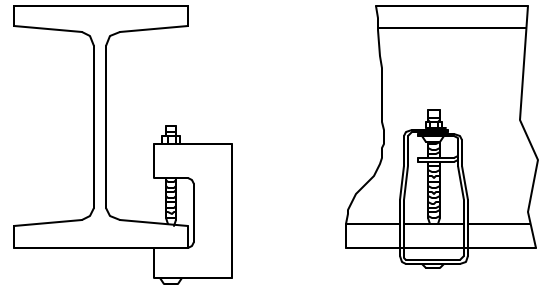
NOTE: Do not over-tighten set screw.

4. Tighten jam nut provided against body of STCB6.

## ROD HANGER FOR FLANGE THICKNESSES FROM 3/4" UP TO 1-5/8"

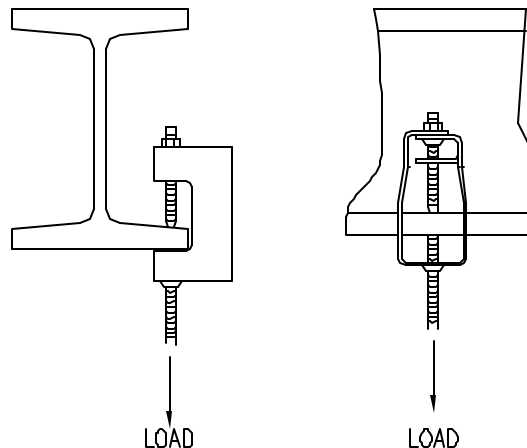
1. Position STCB6 on beam.
2. Secure STCB6 to beam using the set screw provided. Tighten set screw to 60 in-lbs.

NOTE: Do not over-tighten set screw.



3. Tighten jam nut provided against body of STCB6.

4. Insert threaded rod into STCB6. Secure hand-tight to the underside of the beam flange.



**ERICO**<sup>®</sup>

©1998 ERICO, INC.

CFS271B

PRINTED IN U.S.A.



**FASTENERS**

ERICO, INC.  
34600 SOLON RD  
SOLON, OHIO 44139  
(800) 25-CADDY (252-2339)  
FAX: (800) 462-4699