

SOUNDSPHERE[®]

L O U D S P E A K E R S



Q-SB2 | OWNER'S MANUAL

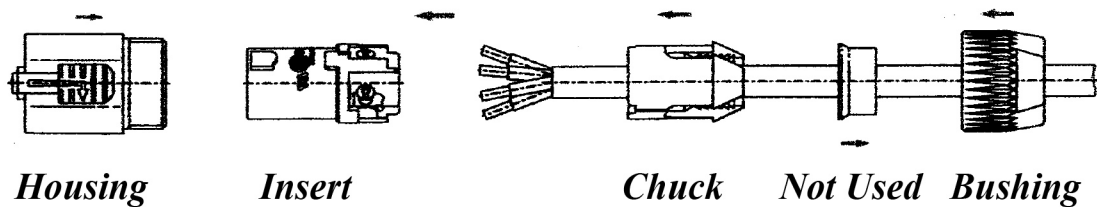
Q-SB2 | OWNER'S MANUAL

Please read the following instructions carefully before installing your Soundsphere® speaker. If you have any questions regarding installation that are not answered in the following directions, please contact your local sound contractor or the Soundsphere®/MSE Audio® technical support team. Contact information can be found on the back of the manual.

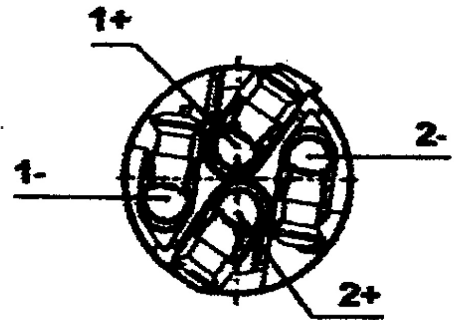
General Information

Maximum Amplifier Power	800 Watts RMS
Nominal Impedance	4 ohms

Neutrik Speakon Assembly and Nomenclature



1. Slide **Bushing** and **Chuck** over end of cable.
2. Prepare the wire:
 - a) Remove 0.787" (20mm) of cable outer jacket (if applicable)
 - b) Strip 0.315" (8mm) from each wire.
3. Connect cable wires to terminals 1+ and 1- and tighten clamp screws securely. (See diagram on right).
4. Install **Insert** in **Housing**.
5. Slide **Chuck** up to and into **Housing**.
6. Slide **Bushing** up to **Housing** and hand-tighten securely.



Mounting

Hanging Kit

Mount using one of the following methods:

- a) Properly secured wire rope with a minimum breaking strength of 700 lbs. (for a 10:1 safety factor).
- b) Beam clamp with proper load rating.

It is recommended to use a secondary wire rope support around one of the legs. **Do not use rope for mounting.** The use of chain is not recommended unless rated for suspension of loads greater than or equal to 700 lbs (for a 10:1 safety factor).

Warranty

Soundsphere loudspeakers carry a 5 year limited warranty. See warranty sheet for details and limitations.

Replacement Parts

18" 400 Watt coaxial loudspeaker driver with crossover.

Model Q-SB2 Driver

Always check local requirements for overhead suspension of loudspeakers.

